



INTRODUCTION SAVE ENERGY WITH NIVISS

The Ground series was designed using modern simulation methods in order to obtain the highest product quality. Ground series fixtures are made of top-quality materials such as marine grade steel, high-purity glass for optical applications, and modern CREE LEDs.

- Based on CREE® LEDs
- 230V AC / 12-24V on request
- Made of 316L steel
- Power: 20W / 18W
- IP67 / IP68
- 5-year warranty
- Round or square front
- Also available with an aluminum body

APPLICATIONS The Niviss Ground Medium fixture can be used for lighting many places and objects such as:

- parks
- gardens
- squares
- premises
- plants
- exterior walls

SPECIFICATION

LIGHT COLOUR	COMFORT WHITE	WARM WHITE	NEUTRAL WHITE	COOL WHITE
Colour Temperature*	2700 ± 150 K	3000 ± 150 K	4000 ± 250 K	5000 ± 250 K
Effective Lumen Output**	1450 lm	1450 lm	1650 lm	1650 lm
CRI	≥ 80			
Viewing Angle [FWHM]	25°, 50°			
Input Voltage	230V AC 50Hz / 12V/24V DC			
Power Consumption	20W / 18W			
Operating Temperature	-20°C + +55°C			
Dimensions	Ø148mm			
Cable Type	H07RN-F 3G1 / 2X1.5			
Cable Length	0.5m			
IP Rating	IP67 / IP68			
Lifetime***	≥ 60 000 h			

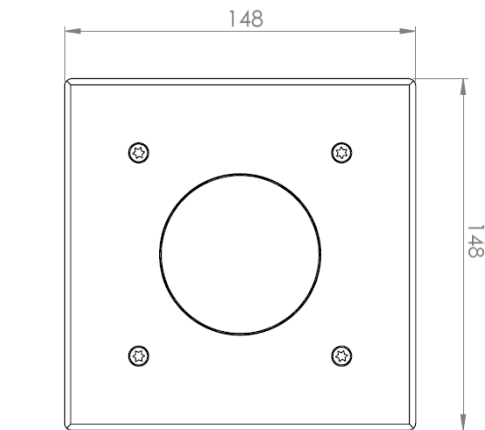
* Other CCTs and colours available on request.

** Source performance in real-life conditions at Ta=25°C; includes optical losses; the tolerance of source lumen output is 5%.

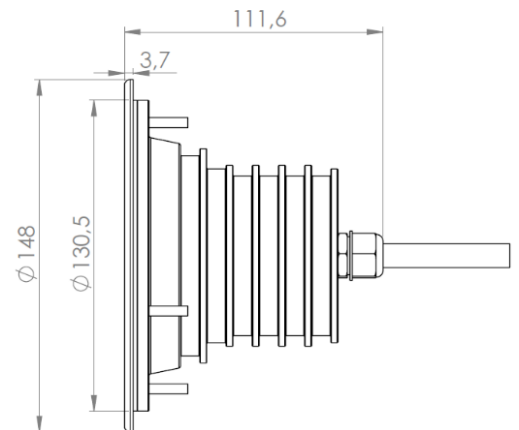
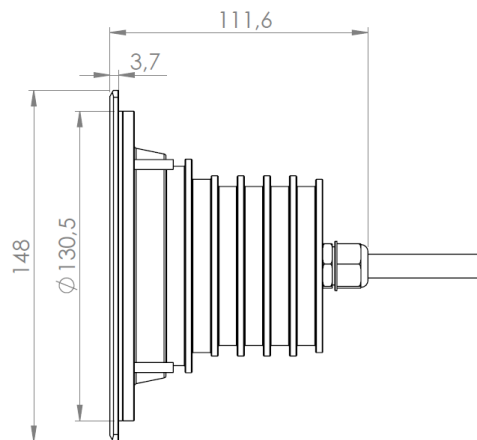
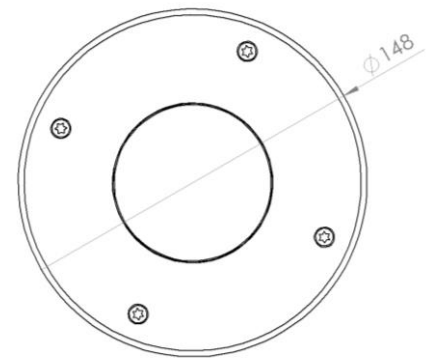
*** Approximate lifetime of LEDs declared by Cree® at Ta=25°C (for 90% of initial light output) and other electronic components

DIMENSIONS [mm]

SQUARE FRONT



ROUND FRONT

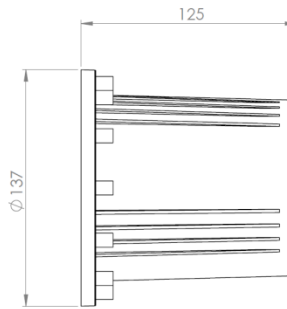


Contact: +48 58 781 33 99 sales@niviss.com www.niviss.com
 NIVISS reserves the right to make technical changes without prior notice.

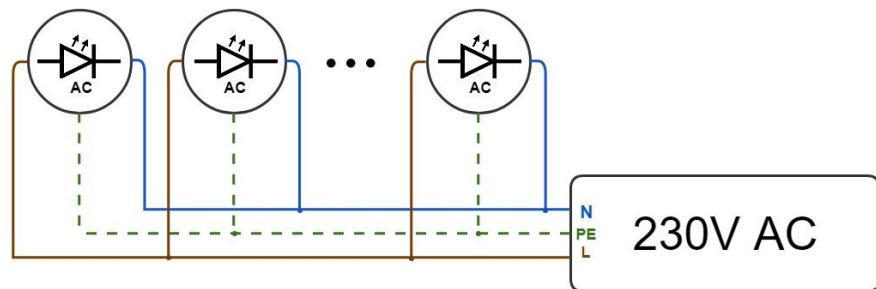
CREE 
 ▶ LED Solution Provider

ACCESSORIES

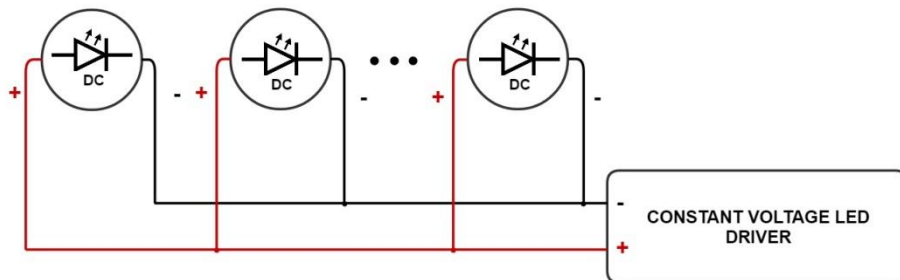
GROUND-MEDIUM-ABS



ELECTRICAL INSTALLATION



Connecting to the power supply should be done when the power supply is off.



Connecting to the power supply should be done when the power supply is off.

ORDER CODE FORMAT

	LV - 18 W HV - 20 W <u>POWER</u>	24 - 24 degrees 50 - 50 degrees <u>FWHM ANGLE</u>	SA - Steel front and aluminum body SS - Steel front and body <u>MATERIAL OF THE FRONT / BODY</u>
GROUND MEDIUM - 20 - VW - 24 - SQ - SA - LV			
<u>FAMILY</u>	<u>CCT</u> VW - 2700K WW - 3000K NW - 4000K CW - 5000K	<u>FRONT PLATE</u> SQ - Square RD - Round	<u>SUPPLY VOLTAGE</u> LV - 12V/24V DC HV - 230V AC, 50Hz

ENVIRONMENTAL CAUTION



Caution!

It is prohibited to dispose of obsolete and waste electrical and electronic equipment together with regular household wastes. They should be properly sorted and recycled. Old electrical and electronic equipment should be returned to a waste collection point established by a waste-management service. Waste electrical and electronic equipment can be broken down to base materials and then recycled. For more information regarding waste management please contact your local authorities, waste-management service or the seller of electrical and electronic devices.