

LYRA ECLIPSE White High Efficiency HD IP40

Area: **Design Luminaires**
Category: **Design Luminaires**
Mounting: **Ceiling mount / Recessed mount**

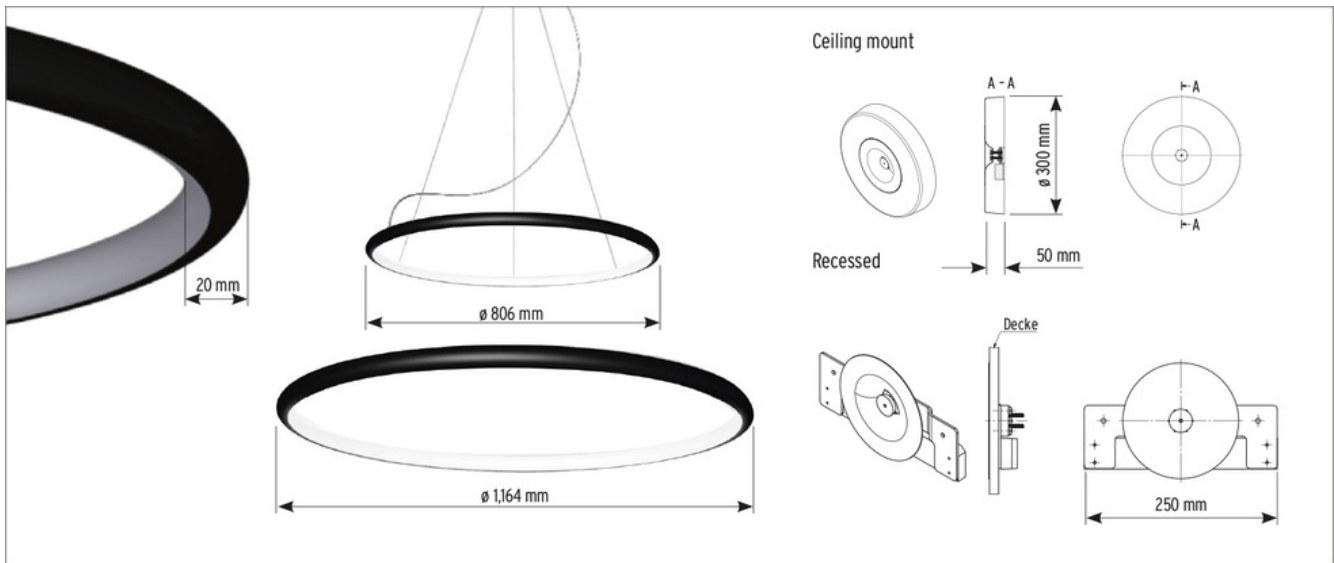


Poetic dance of light and darkness. An elegant circular pendant luminaire with inner lighting. An eye-catcher in every lounge, mall or lobby.

- Small cross section with minimal pendant and supply cable for a refined design with clean finish.
- Available in 806 mm or 1,164 mm diameter.
- Various lumen outputs up to 4,950 lm.

Detailed specification text in download section.

DIMENSIONS & AVAILABLE LENGTHS



2 Standard diameters: 806 mm / 1,164 mm

TECHNICAL SPECIFICATIONS

Certifications














Awards



Family Key Features



Technical Data/Performance

| | | | | | | | |
|--|---|---|---|--|--|--|--|
|  White Static White |  IP40 |  L80/B10 >60,000 h Lifetime |  OneBinOnly |  Wxxx / 339 Photo- metrical code |  SDCM3 |  S-025 CIE S-025 compliant |  LM80 compliant |
|  Reel-to-Reel (R2R) |  Protection against granular objects > 1 mm |  Compliant with EU ECODESIGN guidelines | | | | | |

ELECTRICAL & OUTPUT DATA

| | |
|--|--|
| Voltage | 24 Volt (23 V _{min} , 25 V _{max}) |
| Case Temperature (T _{Cmin} & T _{Cmax}) | T _{Cmin} = -25°C, T _{Cmax} = specific, see Table below |
| Storage Temperature (T _{Smin} & T _{Smax}) | T _{Smin} = -30°C, T _{Smax} = 85°C |
| Ambient Temperature (T _{Amin} & T _{Amax}) | T _{Amin} = -25°C, T _{Amax} = specific, see Table below |

| LYRA ECLIPSE White High Efficiency HD IP40 | HD15 | HD25 |
|--|---------|---------|
| Power (W/m) ^B | 15 | 25 |
| Efficacy (lm/W) ^B | 69 | 58 |
| Diameter (m) | 1.17 | 0.81 |
| CRI / R9 (up to) | 85 / 32 | 85 / 32 |
| Temperature Tc-point (T _{Cmax}) ^C | 70°C | 75°C |
| max. ambient temp. (T _{Amax}) | 45°C | 45°C |

| LYRA ECLIPSE White High Efficiency HD IP40 | | HD15 | HD25 |
|--|--|------|------|
| Color temperature | luminaire lumens/meter (lm/m) ^A | | |
| ● W820 2,000K | 1050 | 1840 | |
| ● W822 2,200K | 1210 | 1950 | |
| ● W825 2,500K | 1380 | 2230 | |
| ● W827 2,700K | 1460 | 2370 | |
| ● W830 3,000K | 1550 | 2520 | |
| ● W835 3,500K | 1620 | 2640 | |
| ● W840 4,000K | 1670 | 2700 | |
| ● W850 5,000K | 1810 | 2950 | |

! To configure the specific luminaire please use the online configurator.

Please note: The orange values are CRI 90 specifications.

^AWithout cover the IP protection level is reduced from IP40 to IP10.

^BThe given data are typical values. Due to tolerances of the production process and the electrical components, photometric values and electrical power can vary up to 10%

^CThe Tc-point should be measured in thermal equilibrium according to IEC EN 60598-1.

! Note: -40% luminous flux at opal and -25% with diffuse cover.

ORDER CODE

Example:

LYRA ECLIPSE HYD **HD15 W820 806-S-OR-C** IP40

CONFIGURE NOW!

Options for the order code:

Your selections :

LED tape

- HD15 (15 W/m) HD15
- HD25 (25 W/m) HD25

Color temperature

- 2,000 K W820
- 2,200 K W822
- 2,500 K W825
- 2,700 K W827
- 3,000 K W830
- 3,500 K W835
- 4,000 K W840
- 5,000 K W850

Please note: The orange values are CRI 90 specifications.

- 806 mm 806
- 1164 mm 1164

Housing color

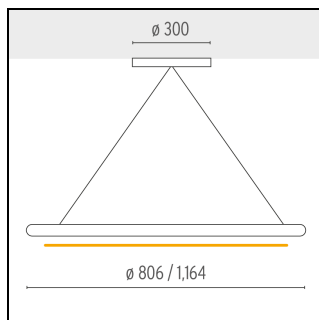
- Silver S
- Black B

Mounting type

- Ceiling mount C
- Recessed R

MOUNTING

1. Ceiling mount



Mounting accessories

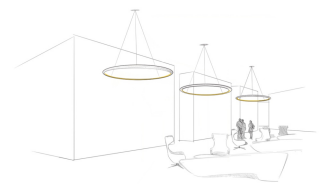


Ceiling Mount Canopy

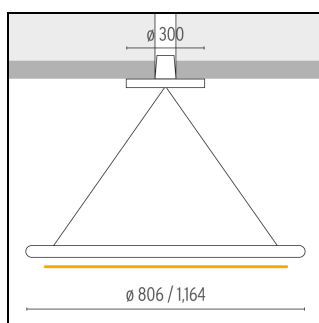
Description

Pre-mounted canopy for ceiling installation; pendant set included.

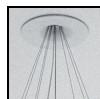
Example of application



2. Recessed mount



Mounting accessories



Recessed Mount Canopy

Description

Pre-mounted canopy for recessed installation; pendant set included.

Example of application

