

# CORVUS INN



## Standard Colours



## OPTICAL

Direct symmetric distribution  
 Beam angle 120°  
 UGR<22  
 Lifetime [L90/B10]: 50000 h. (tq+25°C)  
 Lifetime [L80/B20]: 100000 h. (tq+25°C)  
 SMD LED module  
 Color rendering index: CRI>80  
 MacAdams SDCM 3

## MECHANICAL

Extruded aluminium housing  
 UV stabilized opal diffuser  
 Adjustable suspension accessory  
 IP40 protection degree  
 Impact resistance IK02  
 Glow-wire test resistance 650°C

## ELECTRICAL

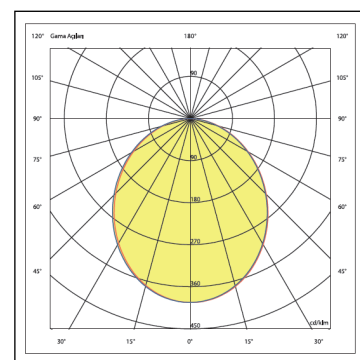
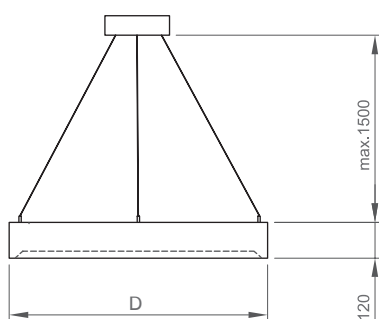
Halogen-free wiring  
 220-240V-50/60Hz  
 Power factor >0.95  
 Constant current, Class I, isolated driver  
 CE - IEC 60598-1 - EN 60598-1  
 Ambient temperature from -20°C to +50°C  
 On-Off Control - (Code: .N000)

## OPTIONAL

DALI - (Code: .DXXX)  
 1-10V - (Code: .MXXX)  
 Tunable White  
 Flicker-free - (Code: .FXXX)  
 Emergency battery - (Code .X3HT)  
 CBS connection  
 UGR<19 - microprismatic diffuser (.MC)  
 Color rendering index: CRI >90  
 Color temperature (K) options  
 RAL colour selection

## INSTALLATION

Ceiling suspended.



Product Code	Power (W)	Lumen (lm)	CCT (K)	CRI	Dimensions QxH (mm)	Cut-Out Q (mm)	Weight (kg)
03170.60.30.030	38	3670	3000K	Ra>80	600x120	N/A	4,0

All electrical values given are rated values. Luminous flux and connected electrical load are subject to an initial tolerance of +/- 10%. Tolerance of colour temperature: +/-150 K. Unless stated otherwise, the values apply to an ambient temperature of 25°C.

Any information including technical parameters and product codes may differ from standard products in catalogue & web site due to customization made per projects.

Ikizler Lighting has the right to make changes or cancellations on the products without notification. Updated information on the products can be received from our web site.